

Effect of Catch and Labor Burden on Fishermen's Income in Pauh Village Moro District Karimun Regency

Hadli Lidya Rikayana* & Susilawati

Program studi Akuntansi, Universitas Maritim Raja Ali Haji

**e-mail: h.lidya.rikayana@umrah.ac.id*

Abstract

This research was conducted in Pauh Village, Moro District, Karimun Regency, which aims to determine the factors that affect the income of fishermen in Pauh Village. This study uses a quantitative approach with multiple linear regression models. The number of fisherman samples used were 32 fishermen. The sampling technique was carried out by purposive sampling. The results showed that partially the catch and labor load affected the income of fishermen in Pauh Village, Moro District, Karimun Regency, and simultaneously the catch variable and labor load influenced the fishermen's income in Pauh Village, Moro District, Karimun Regency.

Keywords: Fishermen's Income, Catch and Labor Burden.

1. Introduction

Indonesia is an archipelagic country where most of its territory is the sea, an archipelagic state is also defined as a country consisting of many islands, and the sea is the dominant part of the land. Indonesia's geographical location is very strategic, which is flanked by two continents and two oceans, and its position is in the international trade traffic lane that can bring benefits to Indonesia economically. With Indonesia being an archipelagic country, Indonesia should also be called a maritime country. The area of Karimun Regency consists of land and water, which in total is approximately 7,984 km². (Central Statistics Data, 2018) Pauh Village is one of the villages located in Moro District, Karimun Regency which is the place in this research. In this village, the livelihoods of the people are mostly fishermen, as many as 326 people from 448 families. Pauh Village has an area of 182.85 km, the boundaries of this village are Sugie Village to the north, East Moro Village to the south, Buru District to the west, and Jang Village to the east. In 2019, Pauh Village had 448 family cards, consisting of 712 male residents and 675 female residents (Monography Book of Pauh Village, Moro District, 2019). However, starting in 2018 many people who work as fishermen sell their boats/pompongs and replace them with canoes, that's because their income is uncertain and often what they get is a loss, because of the amount of expenditure rather than the income they get. This leaves fishermen in a dilemma and decides to sell their boats/pompongs and replace them with canoes so that the expenses are not too big and can balance the income they get. In addition to selling boats/pompong, there are also those who change professions and don't become fishermen anymore, they prefer to work abroad, namely in Malaysia.

According to SAK ETAP, income includes revenues and gains.

- a) Revenue is income that arises in the course of the ordinary activities of the entity and is known by different names such as sales, fees, interest, dividends, royalties and rent.
- b) Gains reflect other items that meet the definition of income but are not income. When a gain is recognized in the income statement, it is usually presented separately because knowledge of the item is useful for the purpose of making economic decisions.

Recognition of income is a direct result of the recognition of assets and liabilities. Income is recognized in profit or loss when an increase in future economic benefits related to an increase in an asset or a decrease in a liability has occurred and can be measured reliably. According to Ridha, (2017) the income of fishermen is sometimes very volatile. This means that the income of fishermen is uncertain, always changing depending on several factors that affect the income of fishermen, namely the catch factor of fishermen and labor factors. The catch of fishermen is the number of catches multiplied by the selling price. According to Yuslizar, (2016) the catch of fish is an item that can later generate income for fishermen. The more fish caught by fishermen, the greater the potential income. While the labor load is a burden or cost that must be issued or paid to workers. Every business activity of fishermen in the sea definitely requires labor in order to maximize their income, but in every presence of labor there must also be expenses that must be paid such as the burden of labor. Based on the description above, the researcher is interested in taking the title of the study on "The Effect of Catches and Labor Loads on Fishermen's Income".

2. Literature Review

Income is the remuneration received by the factors of production within a certain period. The remuneration for this time can be in the form of rent, wages/salary, interest, or profit. Personal income can be interpreted as all types of income received by residents of a country (Sukirno, 2004 in Rahmadani's research). Fishermen's income is the difference between total revenue (TR) and all costs (TC). So $Pd = TR - TC$. Fishermen's income is the multiplication between the production obtained (Y) and the selling price (Py). Fishermen costs are usually classified into two, namely fixed costs (fixed costs) and variable costs (variable costs). Fixed costs (FC) are costs that are relatively fixed in number and continue to be issued even though the production obtained is large or small. Variable costs (VC) are costing whose size is influenced by the production obtained. Total cost (TC) is the sum of fixed costs (FC) and variable costs (VC). then $TC = FC + VC$ (Soerkawati, 2002 in Prakoso's research, 2013).

Fisherman

Catching fish or other marine products is an activity to obtain catches in waters that are not in a state of cultivation by any means or method, including activities that use ships to load, transport, store, cool, handle, process, and/or preserve them.

1. Fisherman Catch

Capture fishermen are people who work in marine product catching operations. From this understanding, it can be concluded that fishing activities are catching or collecting aquatic animals or plants.

2. Fishermen's Income

Income (income) is the amount of money earned from sales within a certain period of time which has been reduced by the cost of goods sold (HPP), expenses and other costs. Income or income focuses more on the notion of net income.

Income is one of the most important economic factors for fishermen. The level of income can show the ability of fishermen to manage their business, especially in adopting new technology (Hartani, 2017). According to SAK ETAP, income includes revenues and gains.

- a) Revenue is income that arises in the course of the ordinary activities of the entity and is known by different names such as sales, fees, interest, dividends, royalties and rent.
- b) Gains reflect other items that meet the definition of income but are not income. When a gain is recognized in the income statement, it is usually presented separately because knowledge of the item is useful for the purpose of making economic decisions.

Recognition of income is a direct result of the recognition of assets and liabilities. Income is recognized in profit or loss when an increase in future economic benefits related to an increase in an asset or a decrease in a liability has occurred and can be measured reliably. Revenue is the difference between receipts (TR) of all expenses (TC). So $Pd = TR - TC$.

3. Catch

The catch of fishermen is the number of catches multiplied by the selling price. The catches of these fishermen will affect the welfare of fishermen's lives, because if there are many fishermen catches, their income will also increase and vice versa if the catch is small, their income will also be small.

4. Labor Load

According to Adhar (2012), labor is a very important factor in production, because labor is a driving factor for other input factors, without labor, other production factors will be meaningless. With the increase in labor productivity will encourage increased production so that income will also increase. The indicator of the number of workers has a role in the speed of fishermen's products. The more workers there are, the more fishermen will produce. So that the workforce indicates that the greater the number of workers, the more opportunities for fishermen to obtain a large amount of output (fish). This may happen because the large number of workers will facilitate the operation of fishing gear in the fishing business. Labor expense is the amount of money or compensation that must be paid to employees for the services they have provided. The more labor burden that is given, the fishermen's income will also be smaller, that's because it has been reduced to pay for the labor load. The labor load factor is included in this study because theoretically the labor load will affect fishermen's income.

Hypothesis Development

As a reference in this study, the results of research that have been carried out previously are stated as follows: Ahmad Ridha (2017) with the research title "Analysis of Factors Affecting Fishermen's Income in Idi Rayeuk District" with the aim of testing the effect of capital variables, labor, fishermen's experience, fish prices, number of catches on fishermen's income. Researchers conducted research in 3 different villages in the coastal area as samples. With a sample using 10 respondents who were determined intentionally in each village so that there were 30 respondents. The analytical tool used in this research is multiple linear regression. The research shows that the capital factor, fishermen's experience, fish prices, and the number of catches have a positive effect on fishermen's income, while labor factors have a negative effect on fishermen's income. The results of this study indicate that working capital, working hours in this study partially have a significant effect, while the labor variable has no significant effect on the income variable of traditional fishermen. Simultaneously or together the variables of working capital, labor, working hours have a significant effect on the income of traditional fishermen.

Framework

The framework is useful for describing the relationship of the independent variable to the dependent variable. The independent variable in this study is the catch variable and the labor load variable, while the dependent variable is fishermen's income. The framework of thought in this study is described as follows:

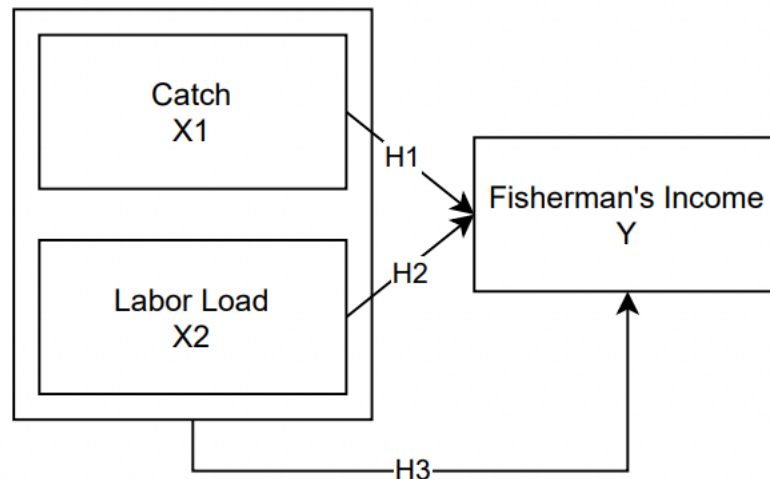


Figure 1. Framework

Hypothesis

The hypothesis is the answer or assumption while the researcher refers to the problem. So the hypothesis in this study are:

H1: It is suspected that the catch influences fishermen's income.

H2: It is suspected that the labor load influences fishermen's income.

H3: It is suspected that the catch and the labor load simultaneously influences fishermen's income

3. Methodology

When viewed from the type of point of view and the data, this research uses a quantitative approach, and the data used are primary and secondary data, because this research was carried out by going directly to the field and also by getting data from certain parties.

Operational Research Variables

Dependent Variable

According to Sugiyono, (2017) the dependent variable is often referred to as an output variable, criteria, and consequences. The dependent variable is the variable that is affected or the result, because of the independent variable. The dependent variable in the study is the income of fishermen. Fishermen's income is calculated by subtracting the catch with expenses and costs, so fisherman's income is the net income of fishermen after deducting costs.

Independent Variable

Independent variables are often referred to as stimulus, predictor, and antecedent variables. In Indonesian it is often referred to as the independent variable. The independent variable is a variable

that affects or is the cause of the change or the emergence of the dependent (bound) variable (Sugiyono, 2017).

Population

Population is a generalization area consisting of: objects/subjects that have certain qualities and characteristics determined by the researcher to be studied and then draw conclusions. So the population is not only people, but also objects and other natural objects. The population is also not just the number of objects/subjects studied, but includes all the characteristics/properties possessed by the subject or object (Sugiyono, 2017). The population taken by the researchers in this study were all fishing fishermen who met the criteria in Pauh Village, Moro District as many as 326 people.

Sample

The sample is part of the number and characteristics possessed by the population. If the population is large, and the researcher is not able to study everything in the population, for example due to limited funds, manpower and time, the researcher can use samples taken from that population. What is learned from the sample, the conclusions will be applicable to the population. For this reason, samples taken from the population must be truly representative (representing) (Sugiyono, 2017). The criteria for determining the sample in this study are as follows:

- a) Catch fishermen in Pauh Village, Moro District.
- b) Fishermen who have their own boat/pompong and tools in Pauh Village.
- c) Fishermen who have workers in Pauh Village.

Table 1. Sample Selection Criteria Table

No	Criteria	Total
1	Capture fishermen in Pauh Village, Moro District, Karimun Regency	326
2	Fishermen who do not have their own boat/pompong and tools	(11)
3	Fishermen who do not have a workforce	(283)
Sample		32
Total		192

Source: Research results, 2020

4. Analysis Method

Descriptive Statistics Test

According to Sugiyono, (2017) descriptive statistics are statistics used to analyze data by describing or describing the data that has been collected as it is without intending to make conclusions that apply to the public or generalizations. Descriptive statistics provide an overview or description of a data seen from the average value (mean), standard deviation, variance, maximum, minimum, sum, range, kurtosis, skewnes (distribution of distribution) (Ghozali, 2013).

5. Conclusion

This study covers the income of fishermen in Pauh Village, Moro District, Karimun Regency which is influenced by the catch and the labor load. The population in this study amounted to 326 fishermen and the sample amounted to 32 fishermen for 6 months, April-September, so that 192 data were obtained. The analysis was carried out using multiple linear regression with IBM SPSS software. Based on the results of testing and discussion, it can be concluded as follows: The catch partially affects the income of fishermen in Pauh Village, Moro District, Karimun Regency for the period April-September 2019. The labor load affects the income of fishermen in Pauh Village, Moro District, Karimun Regency for the period April-September 2019. The catch and the labor load simultaneously affect the income of fishermen in Pauh Village, Moro District, Karimun Regency for the period April-September 2019.

Suggestion

Based on the results of the research conducted, the authors provide suggestions for consideration for the future as follows: Further researchers who will conduct similar research are expected to be able to replace or add variables and add research objects and extend the research period. Regional governments are expected to pay attention to factors related to fishermen's income. The need for fishermen to take into account the costs that need to be incurred when going to sea carefully, so that there is no loss. Pay attention to labor wages so that they can balance it with the net income earned and no losses occur.

References

- Achsanuddin, A. N. 2017. *Analisis faktor - faktor yang mempengaruhi tingkat pendapatan usaha nelayan di Kabupaten Takalar*. Makassar: Jurnal ekonomi balance. Universitas Muhammadiyah Makassar Vo13 No. 2 Hal. 1-12.
- Adhar. 2012. *Analisis faktor - faktor yang mempengaruhi tingkat pendapatan usaha nelayan di Kabupaten Bone*. Makassar: Skripsi Universitas Hasanuddin Makassar.
- Fauzia, S. N. 2011. *Analisis Faktor-Faktor Yang Mempengaruhi Pendapatan Nelayan di Pulau Untung Jawa Kepulauan Seribu Jakarta Utara*. Bogor: Skripsi Institut Pertanian Bogor.
- Ghozali, I. 2013. *Aplikasi Analisis Multivariate dengan Program IBM SPSS 21 Update PLS Regresi*. Semarang: Badan Penerbit Universitas Diponegoro.
- Hartani, N. A. 2017. *Pengaruh Modal Kerja, Tenaga Kerja dan Jarak Tempuh Melaut Terhadap Pendapatan Nelayan*. Makassar: Skripsi Universitas Islam Negeri Alauddin Makassar.
- Hartono, J. 2017. *Metodologi Penelitian Bisnis*. Yogyakarta: BPFE - Yogyakarta.
- Hasan, I. 2009. *Analisis Data Penelitian dengan Statistik*. Jakarta: Bumi Aksara.
- Ikatan Akuntan Indonesia. 2009. *Standar Akuntansi Keuangan Entitas Tanpa Akuntabilitas Publik (SAK – ETAP)*. Jakarta: Dewan Standar Akuntansi Keuangan.
- Meta Trisnawati, D. 2013. *Pengaruh Modal Kerja, Tenaga Kerja, Jam Kerja Terhadap Pendapatan Nelayan Tradisional di Nagari Koto Taratak Kecamatan Sutera Kabupaten Pesisir Selatan*. Padang: Jurnal Pendidikan Ekonomi STKIP PGRI Sumatera Barat.
- Nugroho, V. R. 2017. *Analisis Faktor – Faktor yang Mempengaruhi Pendapatan Nelayan di Desa Bendar Kecamatan Juwan Kabupaten Pati*. Yogyakarta: Jurnal Ilmu Ekonomi Universitas Islam Indonesia.
- Pemerintah Desa Pauh. 2019. *Profil Desa Pauh*. Desa Pauh: Kantor Desa Pauh.

- Pemerintah Kecamatan Moro. 2019. *Profil Kecamatan Moro*. Kecamatan Moro: Kantor Kecamatan Moro.
- Prakoso, J. 2013. *Peranan Tenaga Kerja, Modal dan Teknologi terhadap Peningkatan Pendapatan Masyarakat Nelayan di Desa Asemboyong Kecamatan Taman Kabupaten Pemalang*. Jawa Tengah: Skripsi Universitas Negeri Semarang.
- Putra, A. 2019. *Analisis Faktor - Faktor yang Mempengaruhi Produksi dan Pendapatan Nelayan di Desa Batununggul Kecamatan Nusa Penida*. Denpasar: Jurnal Ekonomi dan Bisnis Universitas Udayana Vol. 8 No. 5.
- Rahmadani, S. 2017. *Pengaruh Faktor-Faktor Produksi Padi terhadap Peningkatan Pendapatan Petani di Kecamatan Turikale Kabupaten Maros*. Makassar: Skripsi Universitas Islam Negeri Alauddin Makassar.
- Republik Indonesia. 2004. *Undang-Undang Nomor 31 Tahun 2004 tentang Perikanan*. Jakarta: Lembaga Negara Republik Indonesia Tahun 2004 Nomor 118.
- Ridha, A. 2017. *Analisis Faktor - Faktor yang Mempengaruhi Pendapatan Nelayan di Kecamatan Idi Rayeuk*. Banda Aceh: Jurnal samudra ekonomi dan bisnis Universitas Samudra Vol. 8 No. 1 Hal. 646-652.
- Santoso, S. 2014. *Statistik Parametrik Konsep dan Aplikasi dengan SPSS*. Jakarta: PT Elex Media Komputindo.
- Sugiyono. 2017. *Metode Penelitian Kuantitatif, Kualitatif dan R&D*. Bandung: Alfabeta.
- Sukirno, S. (2015). *Mikroekonomi Teori Pengantar*. Jakarta: Rajawali Pers.
- UPTD Perikanan Kecamatan Moro. 2019. *Laporan Tahunan UPTD Perikanan Kecamatan Moro*. Kecamatan Moro: Kantor UPTD Perikanan Moro.
- Yasrizal. 2016. *Faktor – Faktor yang Mempengaruhi Pendapatan Nelayan di Kabupaten Aceh Selatan Studi kasus di Desa Sawang Ba'u*. Aceh Banda: Jurnal Perikanan Tropis Universitas Teuku Umar Vol. 3 No. 2 Hal. 203-212.